

CP-UNP-C1021L3G

2MP Warm Light Full-color IR Network PTZ Camera

- 1/3" 2MP PS CMOS Image sensor (0.84667 cm)
- Max. 25/30fps@2MP
- Powerful 10x Optical zoom
- DWDR, 2D/3D-DNR, Day/Night (ICR), AGC, BLC, HLC
- Up to 300 Presets
- IR Range of 30Mtr.
- Support PoE, IP66
- Mobile Software: iCMOB, gCMOB
- CMS Software: KVMS Pro



System Overview

With the help of the new Guard+ Series of Cameras by CP PLUS, surveillance at night has substantially been made easier as vividly colorful images can be captured even in a completely dark scene. The leading part in this highly efficient surveillance solution is played by the Full-Color Cameras that show the detailing in the varied colors of the object in the scene even during night time.

Functions

Full Color

The Full-Color technology that has been ingrained in this camera lets you enjoy an image in full-color even during night time as this technology automatically illuminates the image with the accurate detailing of colors from the scene.



CP-UNP-C1021L3G

2MP Warm Light Full-color IR Network PTZ Camera

Functions

Smart Analytical Support

Using an advanced algorithm, smart analytical technology lets you set a multitude of safety parameters and sends you alerts when any of those parameters have been compromised. Not just when there's an occurrence of tripwire or intrusion.

Power over Ethernet

This product uses the latest PoE technology to troubleshoot the occurrence of any issues in the system making it easier to use. With the help of this technology, your camera now only consumes energy directly from the power supply and doesn't require any mid-way switches.

Instastream

This camera has been designed with the latest and most efficient innovation among the standard video compression designs. Smart encoding algorithms developed by CP PLUS help in saving up to 70% more bandwidth than H.265 along with making it more beneficial for minimizing bandwidth and storage costs. It enhances video coding efficiency while providing high resolution and the rate of frame in the video using Intelligent Region Perception to detect motion in each frame.

True Day/Night (ICR)

When the scene is too dark, the image is captured by illuminating an infrared light through the camera onto the scene that greatly helps with making the scene visible for the lens. It delivers color images during the day and automatically switches to the monochrome feature as the scene darkens.

gCMOB/ iCMOB

Designed to allow users to access and control live streaming from CP PLUS IP Cameras, DVRs/ NVRs and Video Door Phones, the CP PLUS gCMOB/ iCMOB application offers a host of features such as Easy GUI, up to 16 live viewing split-ups; InstaOn cloud support; Playback; digital zoom ins; two-way talk, and more.

KVMS Pro

The KVMS Pro is a hybrid security management software that allows the management of various surveillance devices such as cameras, DVRs/ NVRs, encoders/ decoders, etc. It is released with the surveillance hardware and exclusively supports CP PLUS devices.

About CP PLUS

The brand that is on its way to lead the world when it comes to the security and surveillance industry, CP PLUS, keeps bombarding the market with the most reliable range of products that have been designed carefully and methodically to automate the whole surveillance and security process, no matter how big your premises are.

It was the initiative to help the public in the area where they are the most vulnerable and to empower the sense of safety in our hearts that had conceptualized CP PLUS. And embarking on its mission to make the world a safer and more secure place has taken the brand's journey to unprecedented levels even when compared to international competitors.



CP-UNP-C1021L3G

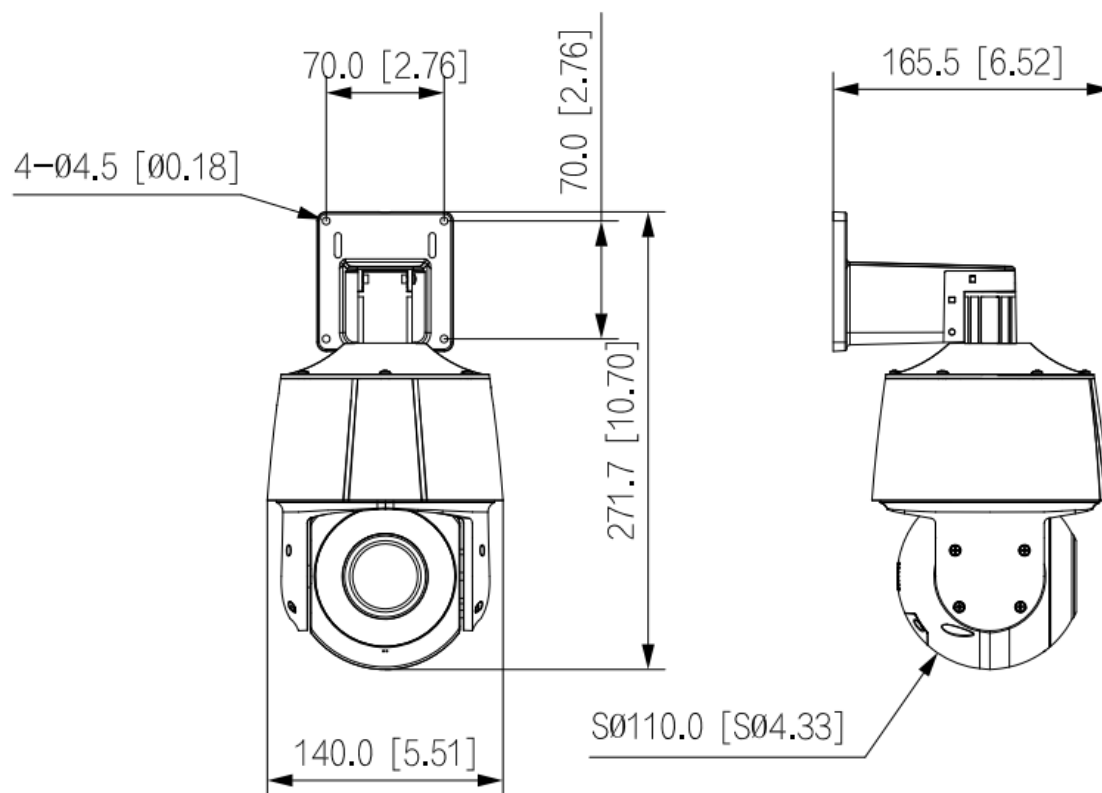
2MP Warm Light Full-color IR Network PTZ Camera

Feature	Specification
Image Sensor	1/3" 2MP PS CMOS Image sensor (0.84667 cm)
Effective Pixels	1920(H) x 1080(V), 2 Megapixels
S/N Ratio	>55dB
Minimum Illumination	Color: 0.05 lux@F1.7 B/W: 0.005 lux@F1.7 0 lux (IR/warm light on)
Focal Length	2.8mm ~ 28 mm
Warm Balance	Auto; indoor; outdoor; tracking; manual; sodium lamp; natural light; street lamp
Image Rotation	180°
Bit Rate	H.264: 32 kbps–8192 kbps H.265: 32 kbps–8192 kbps
Focus Control	Auto; semi-auto; manual
Close Focus Distance	1m
Max. Aperture	F1.7–F3.0
DORI Distance	206.6m(Detect) 82.6m(Observe) 41.3m(Recognize) 20.7m(Identify)
Angle of View	H: 90.7°–22.2°; V: 48.2°–12.6°; D: 107.6°–25.9°
Electronic Shutter	1/3 s–1/100,000 s
AGC control	Auto / Manual
Back Light Compensation	BLC / HLC / DWDR
Optical Zoom	10x
Pan Range	Pan: 0° to 355°
Tilt Range	Tilt: -15° to +90°
Manual Control Speed	Pan: 0.1°/s–26°/s Tilt: 0.1°/s–17.5°/s
Presets	300
Preset Speed	Pan: 26°/s; Tilt: 17.5°/s

Feature	Specification
Light Warning	Warm light warning Flash duration: 5 s–30 s Flash frequency: High, medium, low
Sound Warning	Sound warning alarm: Customizable Alarm duration: 10 s, 20 s, 30
Day/Night	Auto (ICR) / Color / B/W
Video Compression	H.265; H.264; H.264B; MJPEG (Sub Stream 1)
Encode Strategy	Instastream
Video Streaming	Main stream: 1080P/1.3MP/720P (1–25/30 fps) Sub stream 1: D1/CIF (1–25/30fps)
Resolution	1080p (1920 × 1080); 720p (1280 × 720); D1 (704 × 576/704 × 480); CIF (352 × 288/352 × 240)
Streaming Capability	2 Streams
Streaming Method	Unicast / Multicast
Audio Compression	G.711a; G.711Mu; G.726; AAC; MPEG2-Layer2; G722.1; G729; G723
Motion Detection	Support
Two-way Audio	Support
Audio Input	1 channel (built-in Mic)
Audio Output	1 channel (built-in speaker)
Alarm Linkage	Capture; preset; recording; send email; audio
Power-off Memory	Support
IVS	Tripwire, Intrusion, Human Detection
OTA (Online Device Upgrade)	Support
Cloud Health Monitoring System (HMS)	Support
IR Range	IR Range of 30Mtr.
IR On/Off Control	Auto; Manual; Off
Networking	RJ-45 (10/100 Base-T)
Protocols	HTTP; HTTPS; TCP/IP; IPv4; RTSP; UDP; SMTP; NTP; DHCP; DNS; DDNS; IPv6; SSL; FTP; ARP; RTCP; RTP; IP Filter; RTMP; TCP, ONVIF (Profile S&T); CGI

Feature	Specification
Alarm Event	Motion/tampering detection; audio detection; network disconnection detection; IP conflict detection; memory card state detection; memory space detection
Storage	FTP; Micro SD card (256 GB)
User/Host	20 users
Operating Temperature	-30 °C to 60 °C (-22 °F to +140 °F)
Operating Humidity	≤95%
Smart Phone	iPhone, iPad, Android Phone
Weather Proof	IP66; TVS 2000 V lightning proof; surge protection; voltage transient protection
Power Source	12 VDC, 1.5 A (±10%) PoE (802.3af)
Power Consumption	Basic: 2.5 W Max.: 12.95 W (illuminator)
Dimension	271.7 mm × 165.5 mm × 140 mm (10.70" × 6.52" × 5.51")
Casing	Plastic
Weight	1.07 kg

Dimensions (mm/inch)



Company Name:

CP PLUS (Aditya Infotech Ltd.)

F-28 Okhla Industrial Area, Phase 1,

New Delhi 110020, INDIA

Contact Mail ID :- customercare@cpplusworld.com