

# CP-UNC-DA21L2-GP-V2

## 2MP Full-color Guard+ Network IR Dome Camera

- 1/2.8" 2Megapixel PS CMOS Image Sensor (7.112 cm)
- Max. 2MP(1920 x 1080)@25/30fps
- Instastream and Smart H.264+ dual-stream encoding
- DWDR, Day/Night (ICR), 3D-DNR, ROI, AWB, AGC, BLC, HLC
- 3.6mm lens (2.8mm optional)
- Support IP67, PoE
- Built-in efficient LED illuminator, and the max. illumination distance is 20 Mtr.
- Mobile Software: iCMOB, gCMOB
- CMS Software: KVMS Pro



### System Overview

With features of simple installation, easy operation, and high performance-cost ratio, Guard+ Series of Network Camera is applicable to small and medium-sized scenes, such as homes/residences, small-sized retail stores, and other small and medium-sized enterprises.

### Functions

#### Full-color

With high-performance sensor and large aperture lens, Guard+ Series of Network Camera Full-color technology can display clear colorful image in the environment of ultra-low illuminance. With this photosensitivity technology, the camera can capture more available light, and display more colorful image details.



# CP-UNC-DA21L2-GP-V2

## 2MP Full-color Guard+ Network IR Dome Camera

### Functions

#### True Day/Night (ICR)

When the scene is too dark, the image is captured by illuminating an infrared light through the camera onto the scene that greatly helps with making the scene visible for the lens. It delivers color images during the day and automatically switches to the monochrome feature as the scene darkens.

#### Regions of interest

Regions of Interest (ROI) is a user defined feature that allows the operator to monitor specific areas of a scene while still maintaining overall situational awareness of less important areas.

#### gCMOB/ iCMOB

Designed to allow users to access and control live streaming from CP PLUS IP Cameras, DVRs/ NVRs and Video Door Phones, the CP PLUS gCMOB/ iCMOB application offers a host of features such as Easy GUI, up to 16 live viewing split-ups; InstaOn cloud support; Playback; digital zoom ins; two-way talk, and more.

#### KVMS Pro

The KVMS Pro is a hybrid security management software that allows the management of various surveillance devices such as cameras, DVRs/ NVRs, encoders/ decoders, etc. It is released with the surveillance hardware and exclusively supports CP PLUS devices

### About CP PLUS

The brand that is on its way to lead the world when it comes to the security and surveillance industry, CP PLUS, keeps bombarding the market with the most reliable range of products that have been designed carefully and methodically to automate the whole surveillance and security process, no matter how big your premises are.

It was the initiative to help the public in the area where they are the most vulnerable and to empower the sense of safety in our hearts that had conceptualized CP PLUS. And embarking on its mission to make the world a safer and more secure place has taken the brand's journey to unprecedented levels even when compared to international competitors.



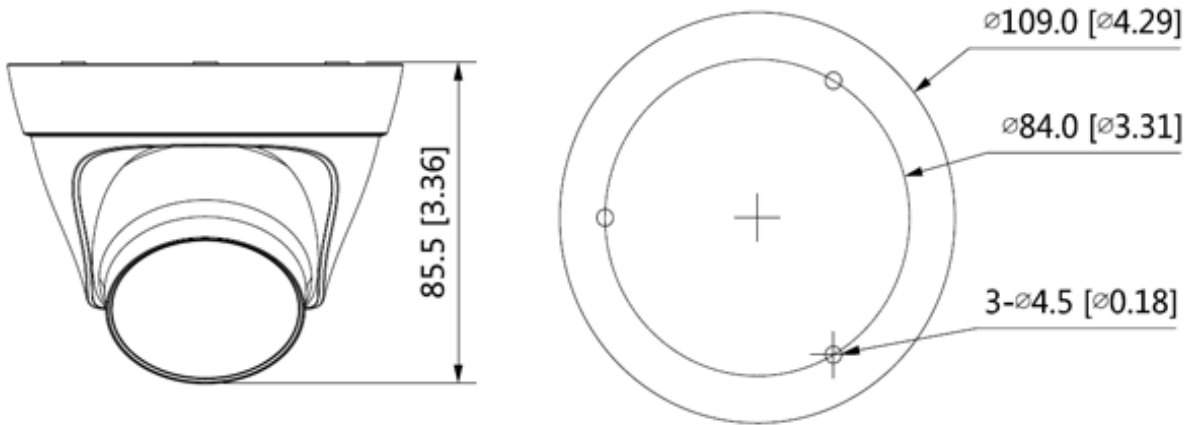
# CP-UNC-DA21L2-GP-V2

## 2MP Full-color Guard+ Network IR Dome Camera

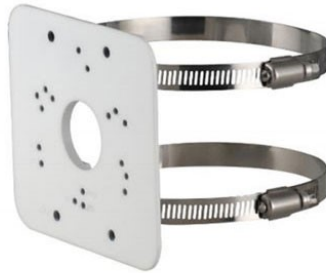
Feature	Specification
Image Sensor	1/2.8" 2Megapixel progressive CMOS (7.112 cm)
Effective Pixels	1920 (H) x 1080 (V)
Minimum Illumination	0.005Lux@F1.6
Shutter Speed	Auto/Manual, 1/3~1/100000s
White Balance	Auto/natural/street lamp/outdoor/manual/regional custom
Lens	3.6mm (2.8mm Optional)
S/N Ratio	>56dB
RAM & ROM	64MB & 16MB
DORI Distance	3.6mm: 54.8 m (Detect) 21.9 m (Observe) 11.0 m (Recognize) 5.5 m (Identify) 2.8mm: 43.9m (Detect) 17.5m (Observe) 8.8m (Recognize) 4.4m (Identify)
Gain Control (AGC)	Auto/Manual
Mount Type	M12
Close Focus Distance	2.8mm: 0.8m ; 3.6mm: 1.1m
Iris Type	Fixed
Max. Aperture	2.8mm: F1.6 ; 3.6mm: F1.6
Lens Type	Fixed-focal
Video Compression	Instastream/ H.265/ Smart H.264+/ H.264/ H.264B/ MJPEG (only supported by the sub stream)
Back Light Compensation	BLC / HLC / DWDR
Angle of View	3.6mm: Horizontal: 88°; Vertical: 46°; Diagonal: 104° 2.8mm: Horizontal: 106°; Vertical: 56°; Diagonal: 127°
Video Streaming	Main Stream: 1920 × 1080 (1 fps–25/30 fps) Sub stream: 704 × 576 (1 fps–25 fps) 704 × 480 (1 fps–30 fps)
Resolution	1080P (1920 × 1080); 1.3MP (1280 × 960); 720P (1280 × 720); D1 (704 × 576/704 × 480); VGA (640× 480); CIF (352 × 288/352 × 240)
Motion detection	OFF/ON (4 areas, rectangular)
Privacy Mask	4 areas

Feature	Specification
ICR	Color/B/W
ROI	Yes (4 areas)
Bit Rate	H.264: 32 Kbps–6144 Kbps ; H.265: 12 Kbps–6400 Kbps
Protocol	IPv4; IPv6; HTTP; TCP; UDP; ARP; RTP; RTSP; SMTP; FTP; DHCP; DNS; NTP; Multicast, ONVIF (Profile S/Profile T); CGI; InstaOn; Genetec
Ethernet	RJ-45 (10/100Base-T)
SDK and API	Yes
Cyber Security	Video encryption; configuration encryption; Digest; WSSE; account lockout; security logs; generation and importing of X.509 certification; HTTPS; trusted boot; trusted execution; trusted upgrade
Event Trigger	Network disconnection; IP conflict; illegal access; motion detection; video tampering; safety exception
User Account	6 (Total bandwidth: 36 M)
Smart Phone	iPhone, iPad, Android Phone
Browser	IE, Chrome, Firefox
Illumination Distance	20 Mtr.
Illuminator Number	1 (Warm Light)
Storage	FTP
Operating Temperature	-40° C ~ +60° C (-40° F ~ +140° F) / Less than 95% RH
Power Source	12V DC/PoE (802.3af)
Power Consumption	1.4W (12V DC); 2.2W (PoE)
Weatherproof Standard	IP67
Dimension	85.5 mm × Φ109 mm (3.4" × Φ4.3")
Casing	Metal + plastic
Weight	0.24 kg

Dimensions (mm/inch)



Accessories : Optional



CP-UA-B2P

Pole Mount